

 pedexon

www.pedexon.com



PEDESTAL
SYSTEMS

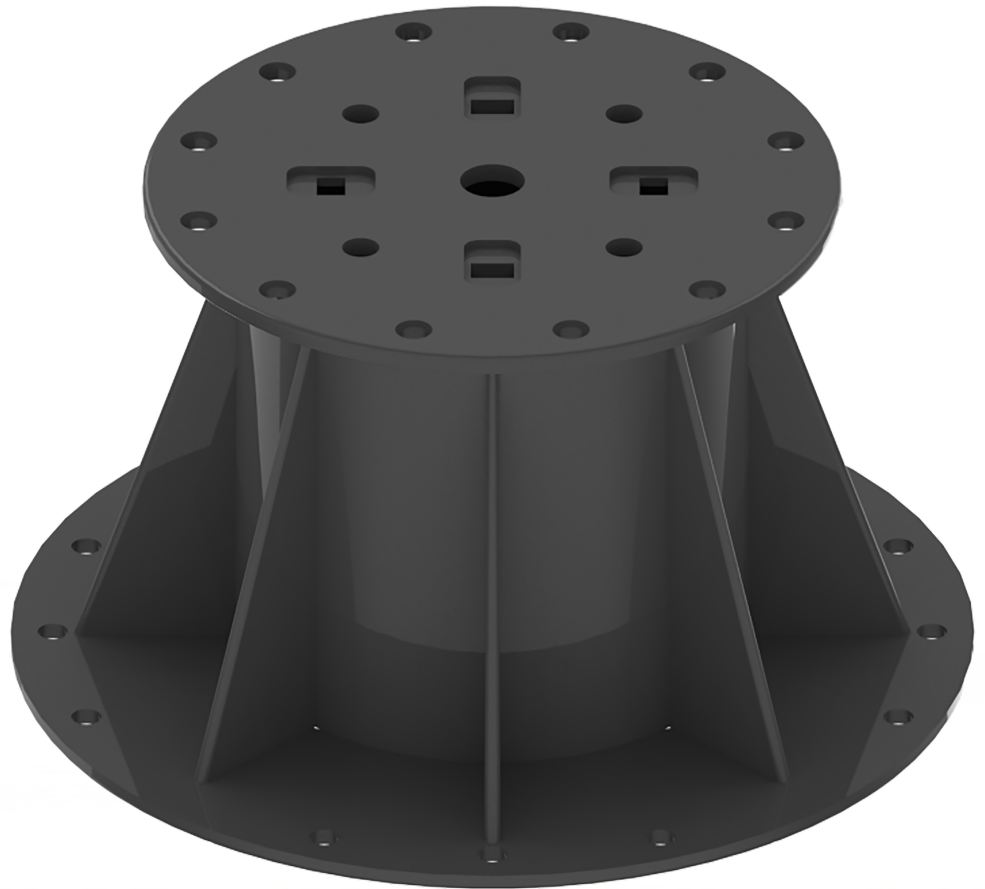


WHO WE ARE

Pedexon is always executed with modern ecological luxury and is comfort structure focused. They are anti-global warming products and at the same time environment friendly in its applications. Additionally, Pedexon still works on product development and industrialization, respectively, day after day.



P - Adjustable
...Page 3



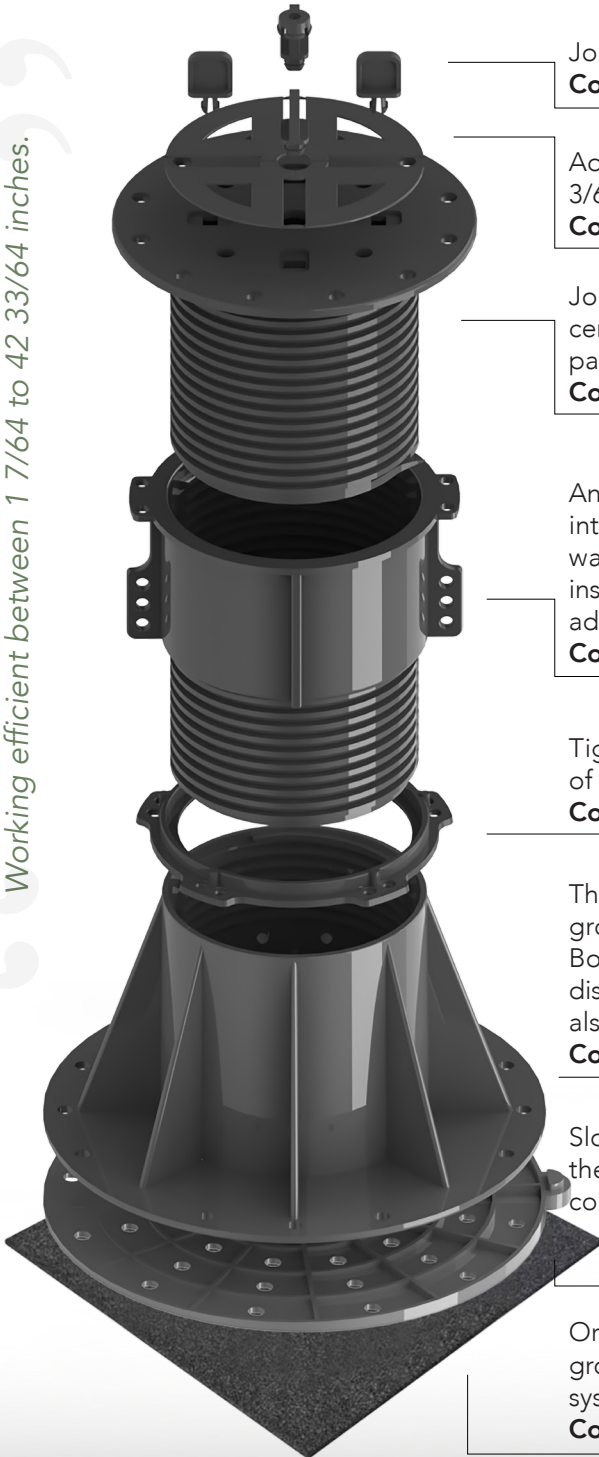


- Adjustable

Plastic raised floor pedestals used to reach desired final level and to level inclination variations on the trafficable and non-trafficable flat roofs. The objective is to lay the top flooring over insulation without use of protective alum, and to ensure a continuous drainage system through open joint gaps of floor furnishing. Pedestals also enable system access at any time to intervene possible insulation problems, having a bearing capacity of 2000 lbs making it very durable.



Working efficient between 1 7/64 to 42 33/64 inches.



Joint strips that can be used in alternative thicknesses and shapes.
Code: T-sp, T-st, T-sf, T-aw, T-ar

Adjustment gasket made of EPDM material in alternative thicknesses of 3/64" and 5/64" to fix calibration problem.
Code: T-s

Joint strips and carcass installation fixtures can be placed on side and center slots provided on the top pedestal connected to intermediate part or bottom pedestal to enable tile or lathe flooring.
Code: Head

An intermediate part is used to raise products beyond 7 1/8". Multiple intermediate parts can be used in a module. Products allow electric and water utility installations to the side and top flanges, keeping the installations above ground level and enabling technical and accessibility advantages.
Code: T-c

Tightening locks that are generally used for higher levels prevent loss of adjustment arising from vibrations in long term.
Code: T-l

The large diameter of bottom pedestal eliminates need to fix on ground surface. However, slots are provided for fixture if required. Bottom edges of the part designed with trimming lines in order to solve distance problems that may be encountered on side and corner details also have beveling to prevent damaging of insulation.
Code: Base

Slope corrector on which the bottom pedestal can be seated eliminates the impact of slopes formed for drainage on the pedestals. Slope correctors which can tolerate all degrees of angles are produced in 1% and 2% alternatives, and can be used in multiple layers.
Code: T-sc

Orthopedic base pad made of EPDM raw material is used on rough ground surfaces to absorb impact vibrations that may occur within the system.
Code: T-p

Safety level release button

The safety level release button on the top pedestal unit or coupler ensure that the pedestal is used in the safe height level in the application phase. In this way, the pedestal is used in accordance with the standards and the safety of the users is ensured.



25 5/8 in

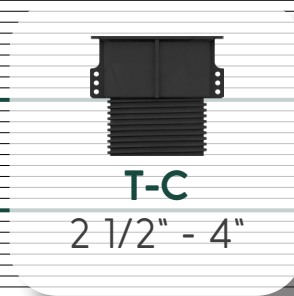
19 11/16 in

15 3/4 in

11 13/16 in

7 7/8 in

3 15/16 in



T-A0
1 1/8" - 1 1/2"

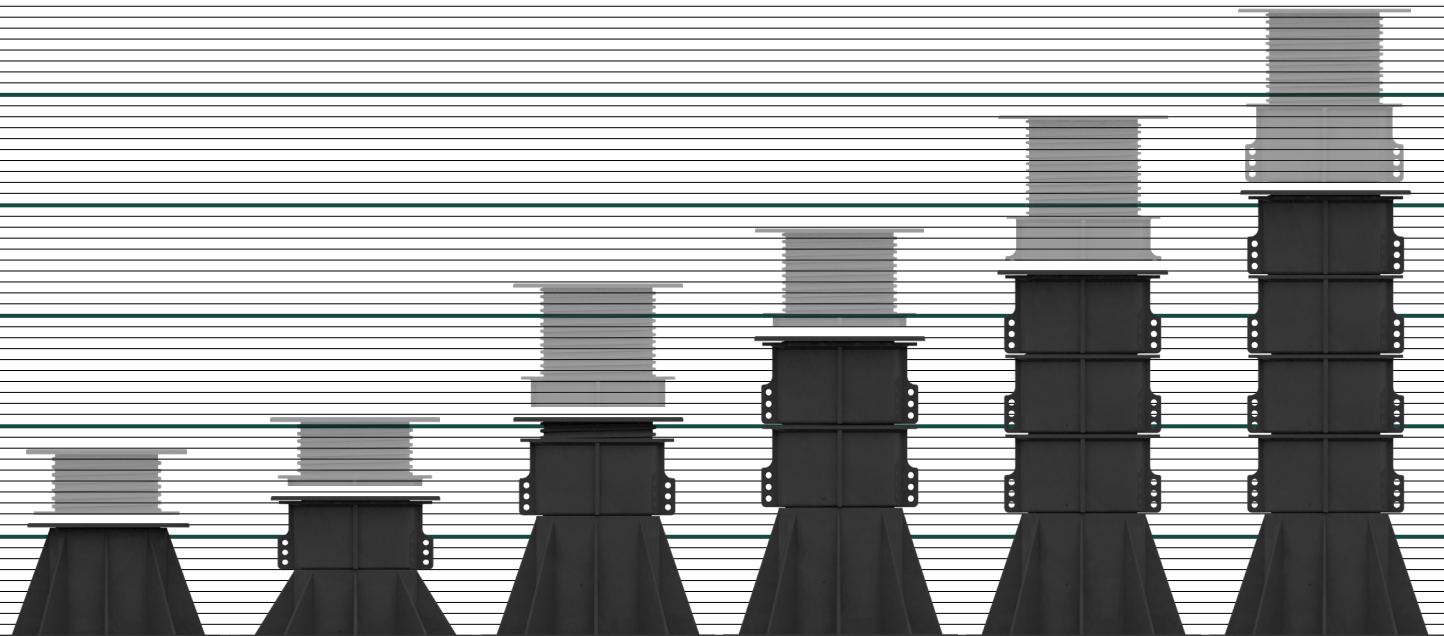
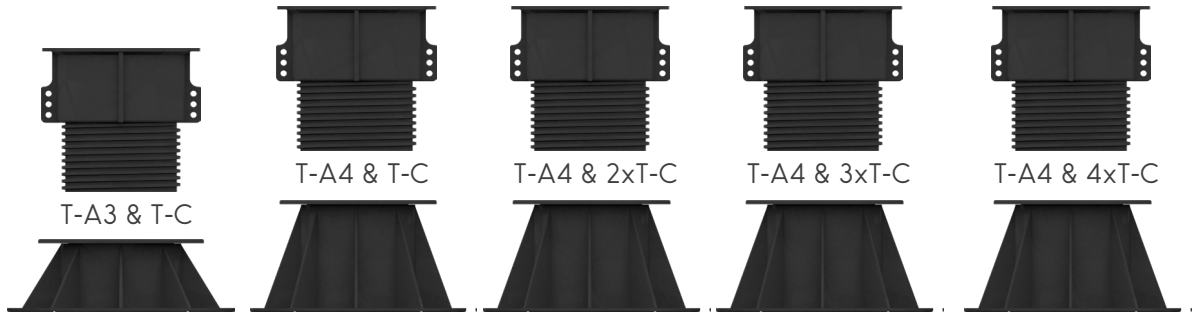
T-A1
1 1/2" - 2"

T-A2
2" - 3"

T-A3
3" - 4 1/2"



“Up to 7 inches height, there is no need for coupler usage.”



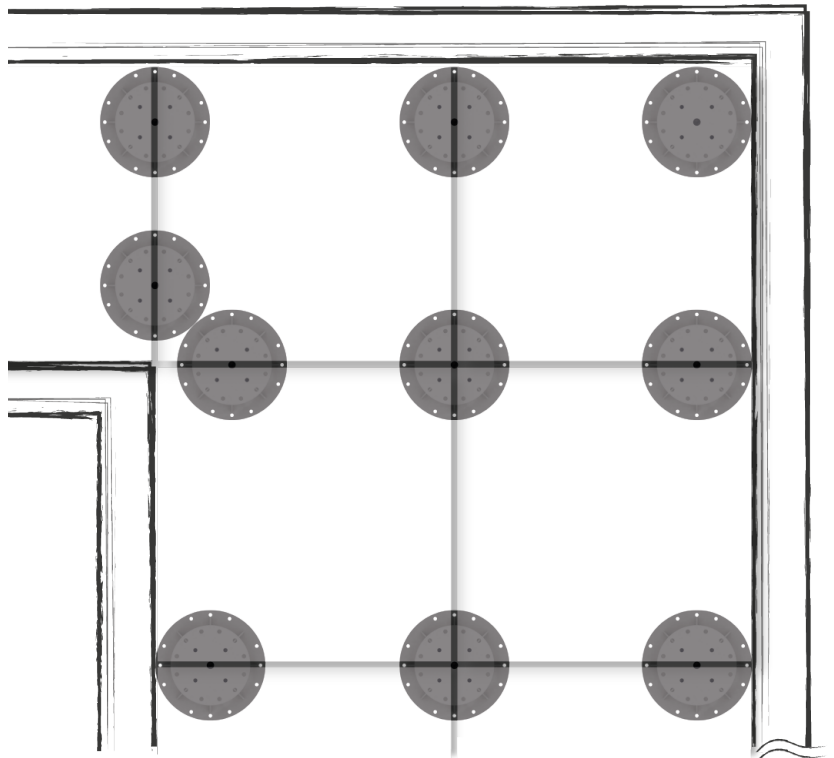
T-A4 4 1/2" - 7 1/8" **T-A5** 5 3/8" - 8 3/8" **T-A6** 8 1/8" - 11" **T-A7** 10 5/8" - 15" **T-A8** 13 1/4" - 19" **T-A9** 15 7/8" - 23"



Calculations

Adjustable Pedestal Premium works with lifting jack principal and applied as a one whole piece in corners and edges. Regarding to this point costs reduce.

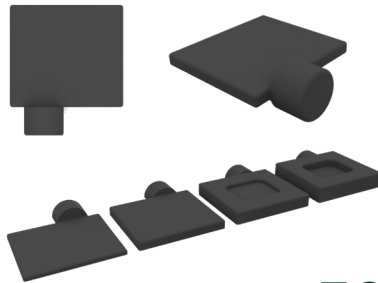
| Paving Size | inch/Pcs |
|-----------------------|----------|
| 11 13/16" x 11 13/16" | 13,8 |
| 15 3/4" x 15 3/4" | 7,80 |
| 11 13/16" x 23 5/8" | 6,70 |
| 15 3/4" x 23 5/8" | 5,20 |
| 19 11/16" x 19 11/16" | 5,00 |
| 23 5/8" x 23 5/8" | 3,50 |





T-SP

Plus shape formed joint strips can be sit in the middle of pedestal and have 4mm thickness. This module can be divided in four different pieces that makes it easier to use them on tough surfaces. Application can be speeded up with this module.



T-ST

Joint strips have a selection of 1/16" to 1/4" thickness alternatives and it is 360 degrees turnable. Besides these products (5/8" of height standard), there is also a 1 1/2" height and 5/32" thickness alternative is available.

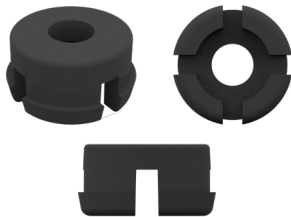


T-SF

This product can be sit on square formed holes and become stable. It is better to use them on perfect measured with a set square paving products.

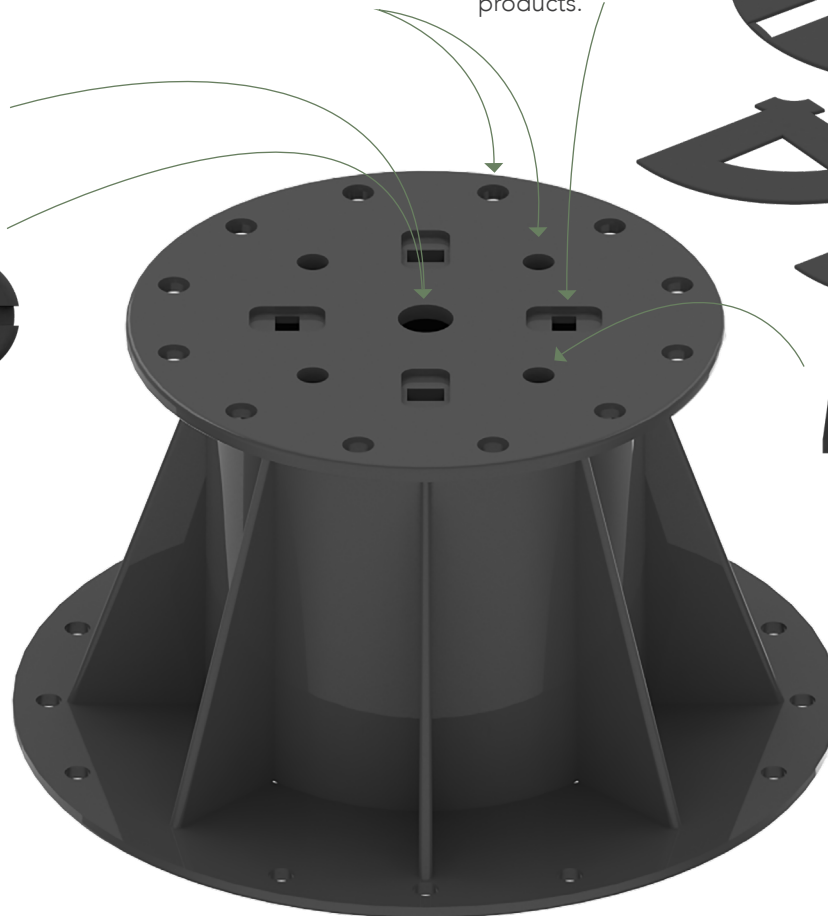
T-S

Accuracy gasket, made from EPDM, has 1mm and 2mm thickness alternatives and made for avoiding calibration problems of tile pavements. It is placed between coating and plates which helps to absorb vibration. It is recommended to use with every plate modules. They can be divided in 4 smaller pieces.



T-AW

Firstly, regarding to anticipated distance in terms of reference, Carcass Assembly Equipment is assembled on carcass with auxiliary screws. Secondly, it is put on the center of pedestal with carcass (Push-on system). It is possible to use all measurements of carcass for this system, even 25/64"!



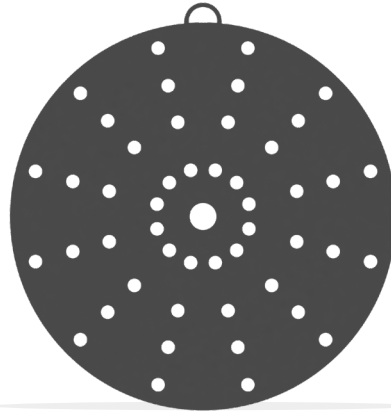
T-AR

This type of carcass assembly equipment is put in every point on pedestal except central point. It should be sitting face to face. It can also can turn 360 degrees. Gaps from side walls are making enough space for screws. From 25/64" to 3 15/16" of carcass can be fitted on this type of equipment.

Slope Correctors

T-SC

Slope Correctors, sit under bottom pedestal, avoids all impacts from drain slopes. 1% and 2% alternatives are available. Slope correctors can be applied either one over another or turnable to get perfect gap angles.



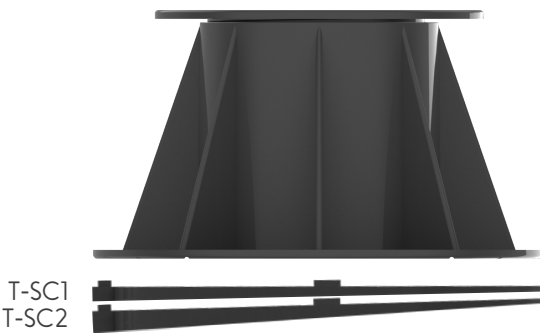
T-SC1

1% grade



T-SC2

2% grade



T-SC1
T-SC2

3% grade

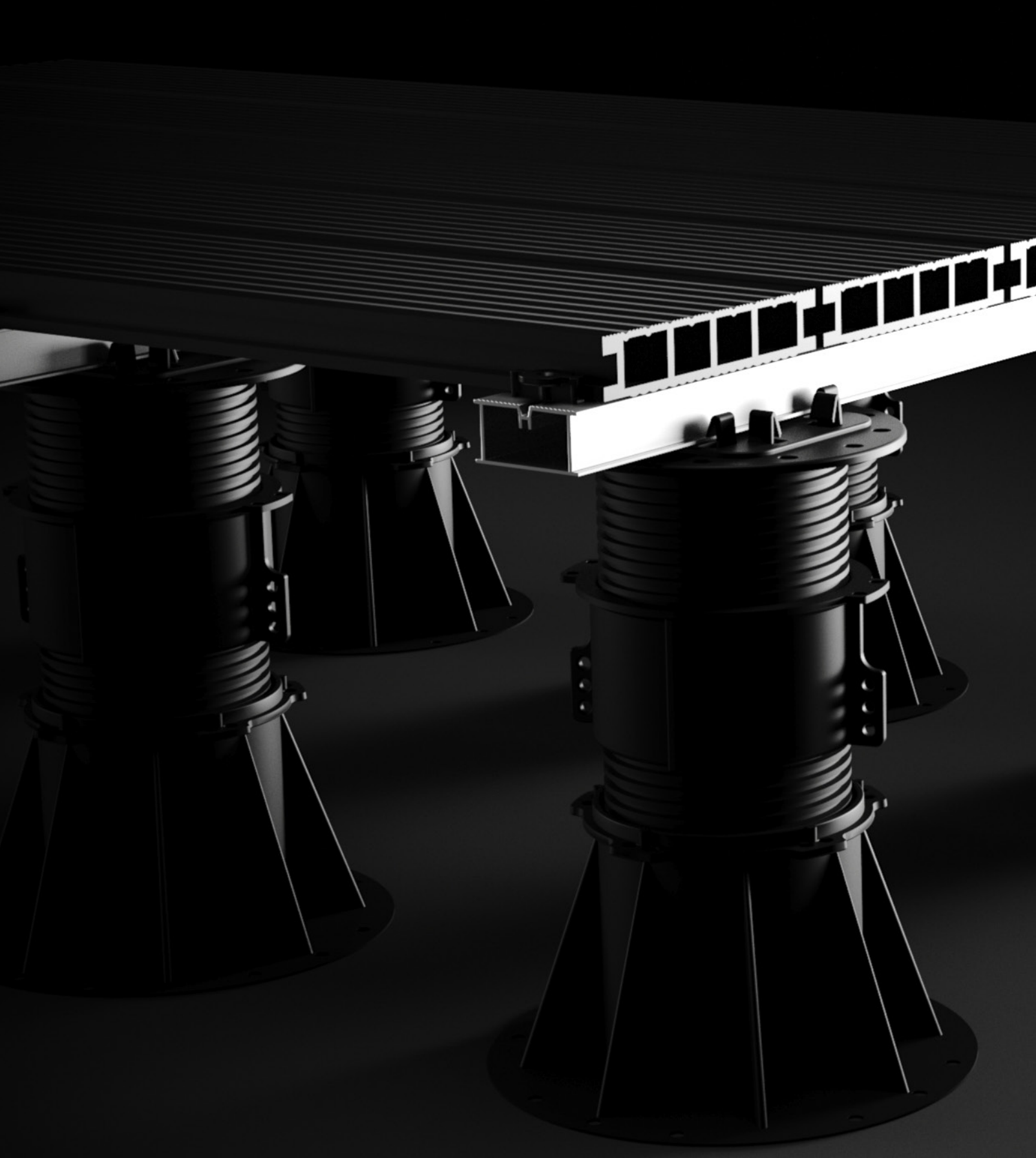


T-SC2
T-SC2

4% grade











pedexon

Pedexon Pedestal Systems

+1 (516) 360 - 1155
info@pedexon.com

www.pedexon.com



 **pedexon**
PEDESTAL SYSTEMS